

SolarCleano

developed by cleaners

Technical Data Sheet SolarCleano M1

April 2024

ZARO 2-4 rue Gustave Loosé,

L-8346 Grass - Luxembourg

T: +352 288 069 - info@solarcleano.com

Description

The SolarCleanso M1 is a compact and efficient solution for cleaning solar panels and canopies. It has been developed so that a person can set it up and fully control it.

- The SolarCleanso M1 can be dismantled into 3 parts. The assembly is designed to be simple with few intermediate steps.
- The robot operates on a battery and is controlled from the ground via remote control.

The SolarCleanso M1 is effective on all types of solar panels or glass and is guaranteed for 12 months. The M1 is designed for smaller solar installations and glass canopies.

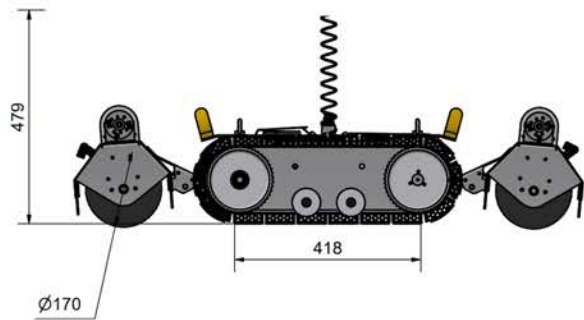
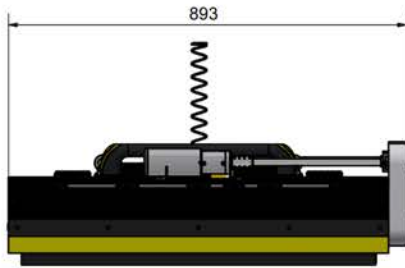
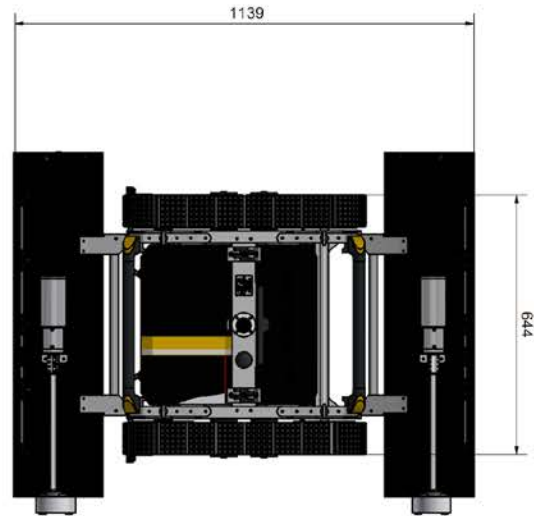
- The size of the brushes (0.80m) allows for thorough cleaning. To further improve the efficiency of the brushes, they are made up of 2 types of fibre and have a helicoidal shape, leaving no trace behind them.
- It can perform both wet and dry cleaning.



Dimensions & Brushes

Chassis Dimensions

1139 x 893 x 479 mm



Brushes

Brush length
Brush diameter
Brush rotation speed
Motor

0.8 m
0.17 m
180 RPM
DC Brush

Types of Bristles

Soft



Standard



Hard



Very Hard



Other Technical Features

Weight

Without brushes	27 kg
With 1 brush	32 kg
With 2 brushes	37 kg

Movement system

Speed	Up to 30 m/min
Cleaning capacity	600 m ² /h
Climbing capacity	18° (32%)

Battery

Type	Batt Lithium Ion 24V – 20Ah
Autonomy	3h
Charger capacity	7A
Charging time	4h

Remote control

Frequency	2.4 GHz
Autonomy	24h
Max. distance	200 m
Protection rating (water)	IP65

Options

Water cleaning	Yes
GPS tracker	Yes

Water

Consumption	12 L/min on average
Pressure	Max. 5 bar
Hose Diameter	Min. 10 mm